

PROJECT QUESTIONNAIRE

ROMOLD PE-manhole DN 500

order request for information

Romold GmbH
 Sägewerkstraße 5
 D-83416 Surheim
 Tel: +49-8654-4768-0
 Fax: +49-8654-4768-47
 E-mail: verkauf@romold.de



project: _____

desired delivery date: _____

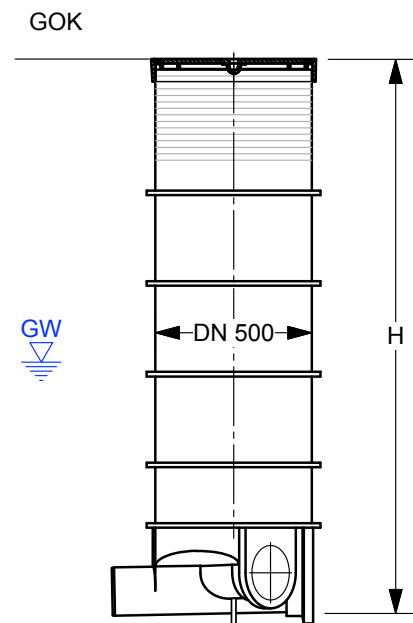
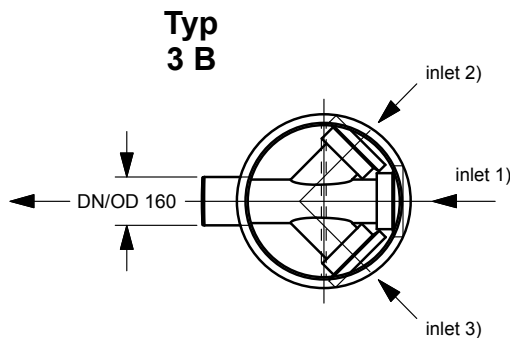
manhole no.: _____

* for multiple orders, please indicate installation order

depth H [m]: _____
surface to channel

ground water level [m]: _____
ground water depth relative to surface

cover
 class: B125 D400
please indicate



Typ		PE-pipe OD mm x mm	others, clay pipe, concrete	falling	angular degrees [°]	centesimal degrees [gon]	bed drop [cm]	pipe gradient [%]
3B	outlet			----	0°	0 gon		
3B	inlet 1)				180°	200 gon	no bed drop	
3B	inlet 2)				135°	150 gon	+ 5 cm	
3B	inlet 3)				225°	250 gon	+ 5 cm	

company: _____

contact person: _____

tel. / fax: _____

E-mail: _____

stamp

date, signature