

PROJECT QUESTIONNAIRE

Romold GmbH
 Sägewerkstraße 5
 D-83416 Surheim
 Tel: +49-8654-4768-0
 Fax: +49-8654-4768-47
 E-mail: verkauf@romold.de

ROMOLD

edited: 11/2018

ROMOLD PE-gully for longitudinal drainage

order request for information

project: _____

gully no.: _____

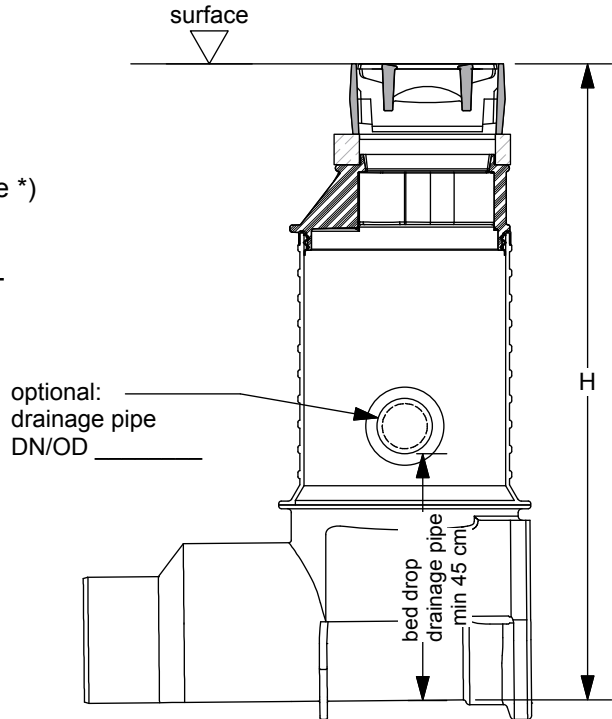
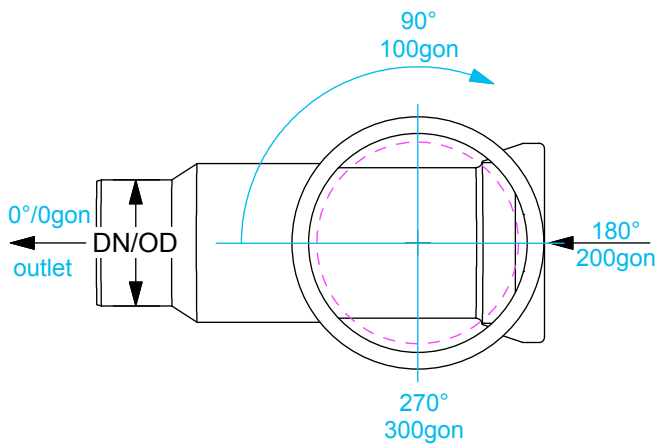
depth H [m]: _____
surface to channel bottom

grating: *) 500 x 300mm 500 x 500mm
please indicate

support ring 10a/10b: plastic concrete *)

special feature: _____

*) not delivered by ROMOLD



| | plain pipe DN/OD 160 - DN/OD 315 | others, PE, clay pipe, concrete | drainage (optional) | angular degrees [°] | centesimal degrees [gon] | bed drop [cm] | note |
|------------|--|---------------------------------------|------------------------|---------------------------|--------------------------------|------------------|------|
| outlet | | | ---- | 0° | 0 gon | ---- | |
| inlet 1 | | | | | | | |
| drainage 1 | | | | | | | |
| drainage 2 | | | | | | | |

company: _____

contact person: _____

tel. / fax: _____

E-mail: _____

stamp

date, signature